

GEN-R100F Stainless Steel 316 Latch Hook With Friction

Features

- Hook is spring loaded to retract, preventing hooked items from falling off
- Swivels 90°, can be folded when not in use
- Friction function prevents unintentional swinging
- Suitable for exterior use
- Chain or rope up to $\varnothing 16$ in diameter can be hung

Parts Included

- Binding head tapping screw 5×30 (SUS)



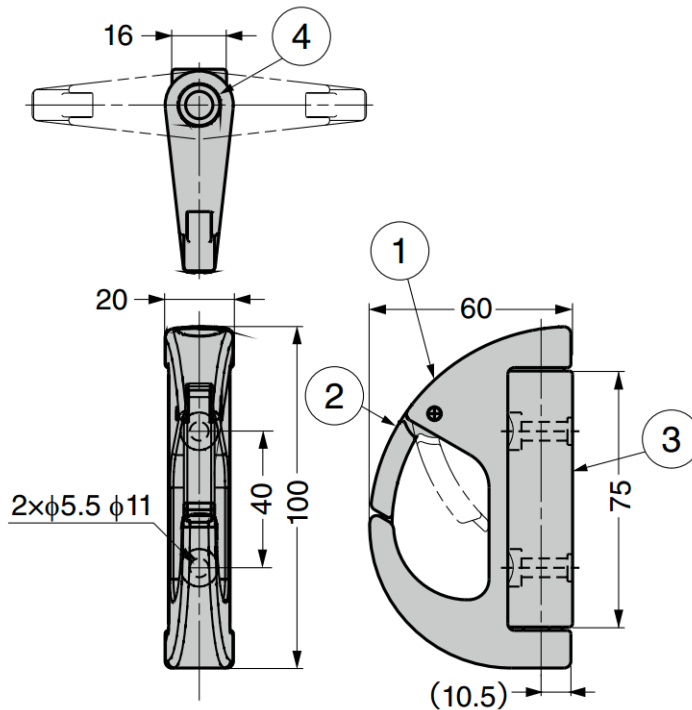
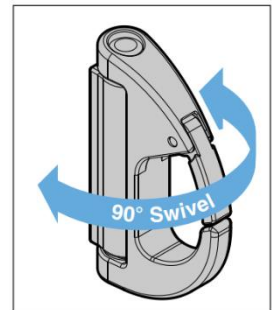
When closed



When opened

| No. | Part Name | Material | Finish |
|-----|-----------|--------------------------|----------|
| ① | Body | Stainless Steel (SCS14) | Polished |
| ② | Arm | | |
| ③ | Base | | |
| ④ | Shaft | Stainless Steel (SUS316) | Plain |

※SCS14 is equivalent of SUS316.



| Part No. | Applicable Rope Diameter | Load Capacity | |
|-----------|--------------------------|---------------|-------|
| GEN-R100F | Max. $\varnothing 16$ | 588 N | 60 kg |